

APPC 1210T/1211T

12.1" TFT LED 4:3 Panel PC with Intel® Atom™ N270
1.6 GHz, Touch Screen, 1GB DDR2, 4xUSB, 4xCOM and VGA



Main Features

- ◆ 4:3 12.1" fan-less LED Panel Computer
- ◆ Intel® Atom™ N270, Low Consumption CPU
- ◆ Fully flat 5-wired touch screen
- ◆ Dual GbE; 2nd display VGA
- ◆ USB x4/2xmini-PCIe/1xCF/2x RS232/422/485, PS2 KB/MS
- ◆ Optional WiFi Module, 2.5" HDD, 2xCOMs
- ◆ DDR2 1GB; 2.5" HDD bracket.
- ◆ IP65 protection front
- ◆ Mounting support Panel/Wall/Stand/VESA 100mmx100mm
- ◆ Wide range power input 9V~36V

Product Overview

NEXCOM's Applied Panel PC incorporates a 4:3 LED touch screen panel, industrial motherboard for versatile industrial applications. The APPC 1210T is Fan-less Panel PC's which are based on the Atom™ N270 processor. The APPC 1210T is available in 12.1" LCD size with resolutions up to 800x600 (SVGA). Other features include built-in dual Ethernet and optional WiFi module and the slimmest x86 based touch terminal. With fully flat touch panel, the Panel PC can have IP65 front for industrial applications. The 12.1" APPC 1210T panel PC has 350nits brightness and can support resolutions up to VGA (800x600) including flush touch screen, 2GbE LAN, 2xCOMs, 2xUSB, PS2 KB/MS, Line-out and a wide range power inputs (9V~36V).

With wide range power input from 9V~36V, APPC series can have telecom, industrial field and machine devices. With 2nd display by VGA, APPC series can hook 2nd display via VGA port with different content. Regarding to customers' applications, our customers can be easy to implement 2.5" HDD, 2xmini-PCIe by removing rear chassis by themselves.

Specifications

Panel

- ◆ LED Size: 12.1", 4:3
- ◆ Resolution: SVGA, 800x600
- ◆ Luminance: 350cd/m2
- ◆ Contrast ratio: 400
- ◆ Viewing angle: 55(U), 65(D), 65(L), 65(R)
- ◆ Backlight:LED
- ◆ Touch screen: 5-line Resistive
- ◆ Touch light transmission: 80%
- ◆ Touch interface: USB

System

- ◆ CPU: Intel® Atom™ N270 1.6GHz
- ◆ BIOS: Award 8M bit Flash BIOS
- ◆ I/O chip: ITE8783
- ◆ System memory: 1GB DDR2 support up to 2GB DDR2 400/533
- ◆ SSD: One CF socket by IDE support Type I/II Compact Flash Card
- ◆ Hard drive bay: Optional 2.5" SATA HDD or SATA DOM
- ◆ Watchdog timer: Reset: 1 sec.~255 min. and 1 sec. or 1 min./step

- ◆ H/W status monitor: Monitoring system temperature, and voltage
- ◆ Expansion: 2x Mini-PCIe

Rear I/O

- ◆ Serial port: 2xRS232/422/485(Isolation for APPC1211T)
- ◆ Optional : 2xCOM(optional), DIO
- ◆ Ethernet: 2xRJ45
- ◆ 2nd display: VGA port, 1xDB15
- ◆ Audio port: Line out
- ◆ USB: 4xUSB 2.0
- ◆ PS2 Keyboard/Mouse
- ◆ Power Switch

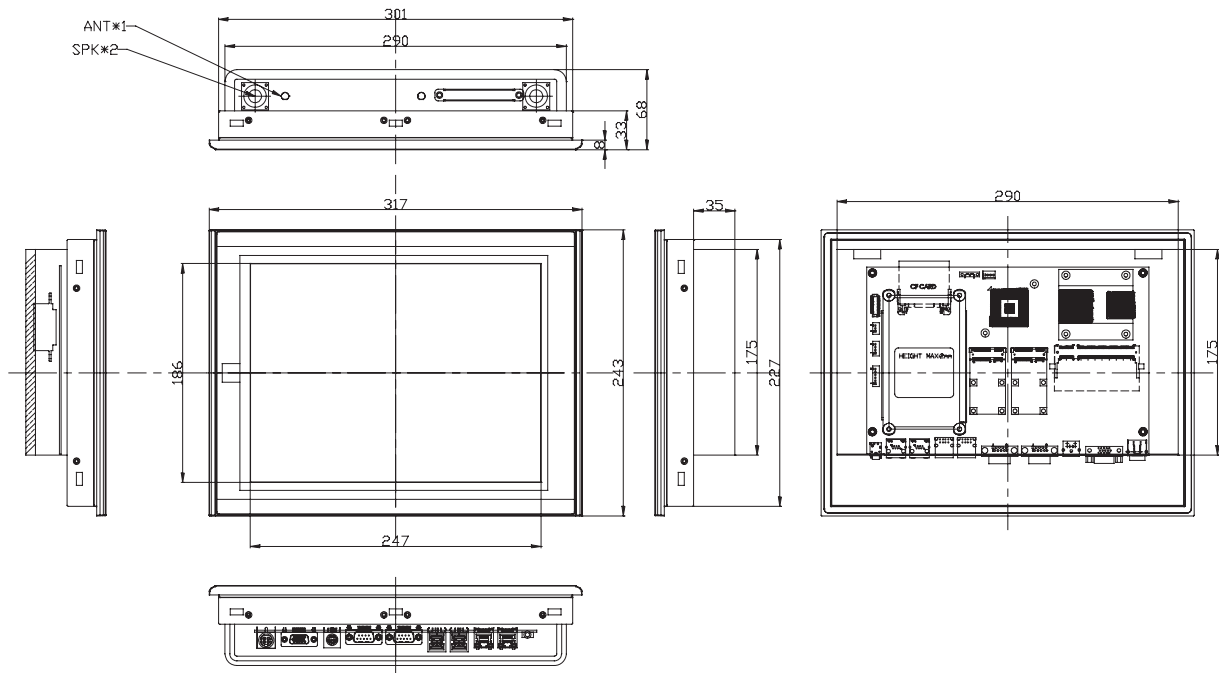
Audio

- ◆ AC97 codec: Realtek ALC888
- ◆ Audio interface: Connector: Line out

Ethernet

- ◆ LAN chip: Dual Intel 82574L Gigabit LAN
- ◆ Ethernet interface: 10/100/1000 Based-Tx Fast Ethernet compatible

Dimension Drawing



Mechanical & Environment

- Color: Pantone black U
- IP protection: IP65 front
- Mounting: Panel/Wall/Stand/VESA 100mmx100mm
- Power input: 9V~36V
- Power adaptor: Optional AC power adaptor(+12V)
- Vibration:
 - Vibration Protection with Commercial SATA HDD only IEC 68 2-64 @ SINE condition 2 Grms @ sine, 5 ~ 500 Hz, 10 ct./min, 1hr/axis
 - Vibration Protection with Commercial SATA HDD only IEC 68 2-64 @ Random condition 0.3 Grms @ sine, 5 ~ 500 Hz, 10 ct./min, 1hr/axis
- Shock:
 - IEC 68 2-27
 - CompactFlash@: 50 G @ wall mount, half sine, 11 ms
 - HDD: 30 G @ wall mount, half sine, 16 ms
- Operating Temperature: 0 to 45°C
- Storage temperature: -20 to 75°C
- Operating humidity: 5%~90% relative humidity, non-condensing
- Dimension: 317x243x68mm
- Weight: 3.0 Kg

Ordering Information

- ♦ **Barebone**
APPC 1210T (P/N: 90IA1210T00X0)
 12.1" TFT LED Panel PC with Intel® Atom™ N270 1.6 GHz, touch screen, 1GB DDR2
- ♦ **APPC 1211T (P/N: 90IA1211T00X0)**
 12.1" TFT LED Panel PC with Intel® Atom™ N270 1.6 GHz, touch screen, 1GB DDR2, Isolation on 2x RS232/422/485